

PRODUCT:

QUANTITY:

ITEM:

## Designed Smart

### Equipment Packages to fit your Operations!

Available in a style to fit your operation:

- High impact “Nacho Cheese” and “Buttery Popcorn” signs build impulse sales of these key snack items.
- Comes in a 4 quart inset and ladle package.

### Designed to Deliver Dependable, Safe Temperatures

- Unit heat quickly and have fast recovery for unexpected surges in demand.
- Double boiler construction maintains a temperature of up to 140 degrees.
- Infinite control heat system offers more accuracy than toggle switch systems.

### Easy to operate

- W-4B holds a standard #10 size can.
- Heated warmer is provided with 4 qt inset, slotted hinged cover and 1 oz ladle. Just empty sauce or butter into inset, heat and ladle out over meals or snacks.
- Unit is compact and portable.
- Unit is fully insulated to focus heat on interior warming area and to keep outside surfaces safe.

### Easy to Maintain

- Heated 4 Quart Warmers are designed to require minimal labor:
- Stainless steel exteriors are easy to wipe clean.



Hot Butter Warmer

## Graphics Options

Graphics	Transparency	Decal
•Nacho Cheese	217701	217657
•Buttery Popcorn	217703	217659
•Hot Chili	217702	217658
•Hot Fudge	217704	217661

## APW Wyott® Design Features

- Exterior cabinet is constructed of stainless steel for maximum durability.
- Made with heavy duty wiring
- Units are fully insulated to focus heat on interior warming area and to keep outside surfaces safe.

## Reliability backed by APW Wyott's Warranty

All APW Wyott Heated Countertop 4 Quart Warmers are backed by a 1-year limited warranty and a 1-year on-site labor warrant.

•Certified by the following agencies:

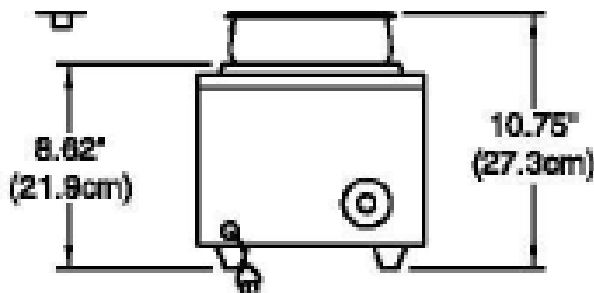
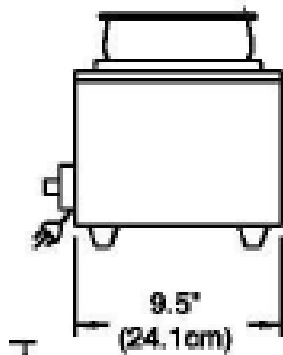
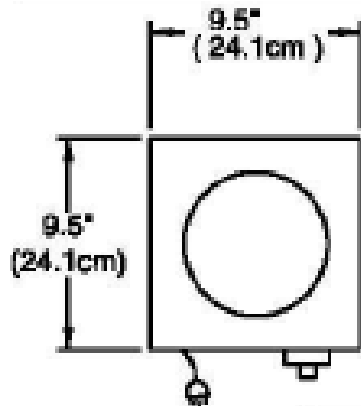


See reverse side for product specifications.

PRODUCT:

QUANTITY:

ITEM:

**PRODUCT SPECIFICATIONS****Heated 4 Quart Warmers****Construction:**

Stainless steel construction. Comes with 4 quart inset, hinged cover, 1 oz. ladle and decal. 1/2" tall rubber feet.

**Electrical Specifications:**

W-4B PKG: 120V, 396W, 3.3 Amps

**Overall Dimensions:**

W-4B PKG: 10 3/4"H x 9 1/2"W x 9 1/2"D  
(27.3 cm x 24.1 cm x 24.1 cm)

**Shipping Weight:**

W-4B PKG : 9 lbs (4.1kg)

FOB: Allen, TX 75013    Freight Class: 100

\*APW Wyott reserves the right to modify specifications or discontinue models without incurring obligation.