



X*PERT™ Series Classic Countertop 12" x 20" Warmer

Models □ W-3Vi

PRODUCT:

QUANTITY:

ITEM:

Designed Smart

- The W-3Vi warmer has an energy efficient design that keeps hot food at the perfect serving temperature.
- The unique serpentine shaped heating element evenly distributes heat throughout the unit.
- The warmer is provided with insulation to protect interior parts and countertops from heat build-up.
- Designed to run with water.



Model W-3Vi Countertop Warmer

Built Solid

- Constructed with heavy-duty stainless steel for excellent durability.
- Inside liner made with stainless steel
- Steel “element support” stabilizes heating elements and reflects heat toward food.

Reliability backed by APW Wyott’s Warranty

These APW Wyott Warming Equipment is backed by a 1-year Parts and Labor warranty, including our “Enhanced Warranty” service that replaces new units with certain product issues through the convenience of direct factory shipments.

•Certified by the following agencies:



APW Wyott® Design Features

- 22 qt. capacity
- All stainless steel well pan and housing
- Superior element configuration
- Heavy-duty wiring extends element life
- Bottom-insulated
- Infinite temperature control
- Accepts all APW Wyott steam table pans

See reverse side for product specifications.



APW Wyott Foodservice Equipment Company * 1307 N Watters Rd. Suite 180, Allen, TX 75013
(800) 527-2100 * (972) 908-6100 * Fax (214) 565-0976 * www.apwwyott.com

Rev061617cp

PRODUCT:

QUANTITY:

ITEM:

PRODUCT SPECIFICATIONS

Construction:

Stainless steel well pan and housing; fiberglass insulation.

Electrical Information:

Each unit is equipped with a 60", three wire grounded power cord which terminates with a standard three pronged male plug. The 120V unit uses a NEMA 5-15P plug.

Electrical Specification:

120V, 1200W, 10Amps
240V, 1200W, 5Amps
230V, 1100W, 4.8Amps

Overall Dimensions:

W-3Vi: 9 3/4" H x 14 1/16" W x 22 3/32" D
(24.7cm x 35.7cm x 56.1cm)

Capacity:

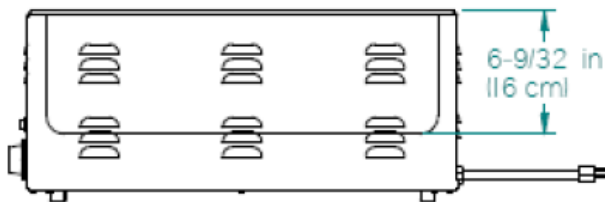
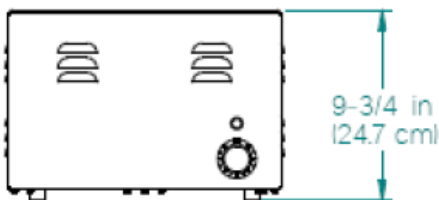
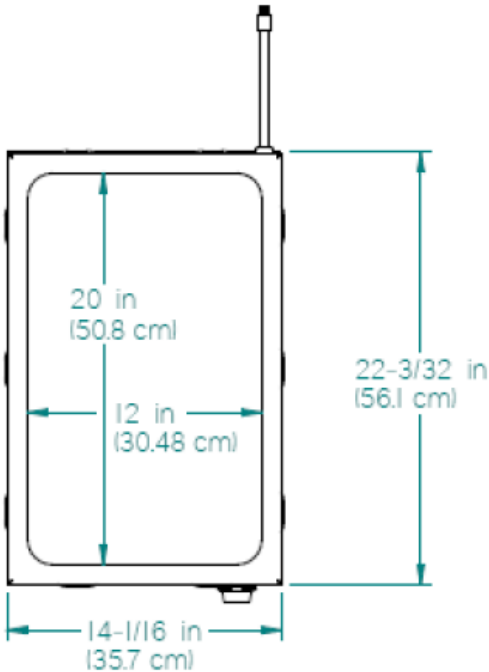
W-3Vi: 22 qts. (21L)

Shipping Weight:

30 lbs. (10.9kg)

FOB: Allen, TX 75013

Freight Class: 100



*APW Wyott reserves the right to modify specifications or discontinue models without incurring obligation.