



**BC  
BUN CABINET**



DESIGNED SMART. BUILT SOLID.

**APW**  
*wyott*  
A Standex Company

**Practical**  
**Convenient**  
**Dependable**

**Practical** way to merchandise unheated buns, while holding them for clerk or customer service.

**Convenient** as stand-alone bun cabinet or complementary companion to a variety of roller grill configurations.

**Dependable** stainless steel construction with clear lift up acrylic doors, for product visibility and easy accessibility. Drawer model is a full stainless steel unit with sliding door.



# Bun Cabinet

**Unique design** makes buns highly visible and easily accessible to maximize merchandising and product access by clerk or customer.

**Perfectly paired** for use with a wide range of roller grills, maintaining a small, economical countertop footprint.

- Compact BC-20 (use with HR(S)-20(S) Roller Grills)
- Regular size BC-31 (use with HR(s)-31(S) Roller Grills and HR(S)-45 Roller Grills)
- Full Menu sizes BC-50 (use with HR(S)-50(S), HR(S)-75 or HR(S)-85 Roller Grills)



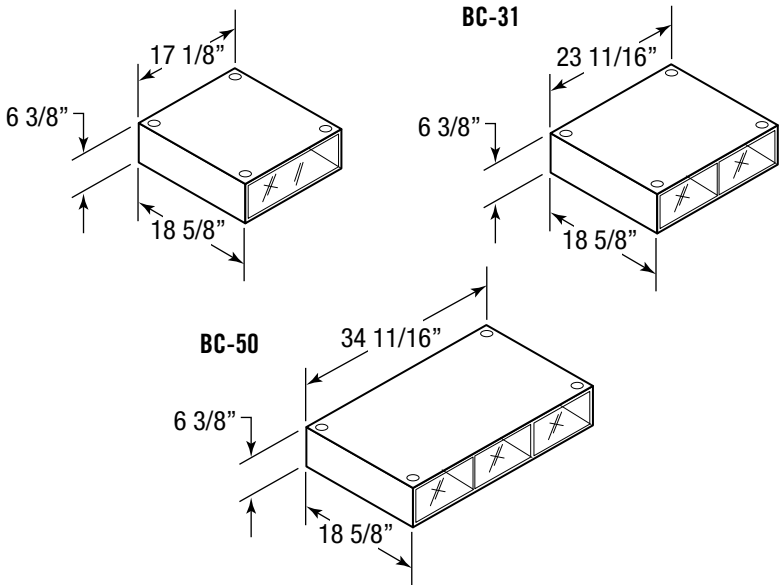
**Various capacities** are accommodated by different cabinets that can facilitate storage of 50 to 144 buns.

**Rear access door** allows clerks to load buns from behind the counter, and easily clean crumbs out of back



## Dimensions

---



## Specifications

---

### Construction

Stainless steel cabinet. Plexiglass front doors on standard model. Available with stainless steel drawer and stainless steel rear door. 5/8" tall rubber feet.

### Capacity

Compact BC-20	50 buns
Regular size BC-31	100 buns
BC-31D with Drawer	100 buns
Full Menu size BC-50	144 buns
BC-50D with Drawer	144 buns

### Shipping

BC-20:	16 lbs (7.3 kg)
BC-31:	22 lbs (10 kg)
BC-31D:	26 lbs (11.8 kg)
BC-50:	29 lbs (13.2 kg)
BC-50D:	41 lbs (18.6 kg)
FOB:	Cheyenne WY 82007

### APW Wyott Foodservice Equipment Company

1307 N. Watters Drive, Suite 180, Allen, TX 75013  
(800) 527-2100 • (972) 908-6100 • Fax (214) 565-0976  
www.apwwyott.com • info@apwwyott.com