



HRDi DIGITAL ROLLER GRILL



DESIGNED SMART. BUILT SOLID.

APW
wyott
A Standex Company

Digital
Adaptable
Convenient

Digital operation, maintenance, control and management.

Adaptable to meet virtually any roll requirements, from hot dogs to egg rolls, and more.

Convenient control from cook to hold, for various cycles during peak and off-peak selling hours.



Digital Roller Grill

Advanced Digital Roller Grill

utilizes the latest control technology to improve overall performance, by minimizing waste and reducing labor, while adhering to HACCP food safety standards.

Digital controls

automatically cycle through Preheat, Cook and Hold modes, with easy-to-read, bright LED's to signal when product is ready to serve.



Large digital display shows estimated temperature of product while roller grill is in hold mode.

Custom equipment packages tailored to fit your operations, from Compact, Regular and Full Menu capacity choices.

High product visibility, and sleek, contemporary design, means maximum merchandising for increased customer interest and sales.

Ultimate ease of cleaning with "Tru-Turn" coated rollers, that wipe clean with damp cloth. Roller configuration allows for easier access to previously "hard to reach" areas, and units have removable grease pan.

Stainless steel exterior means maximum durability

Accessories include:

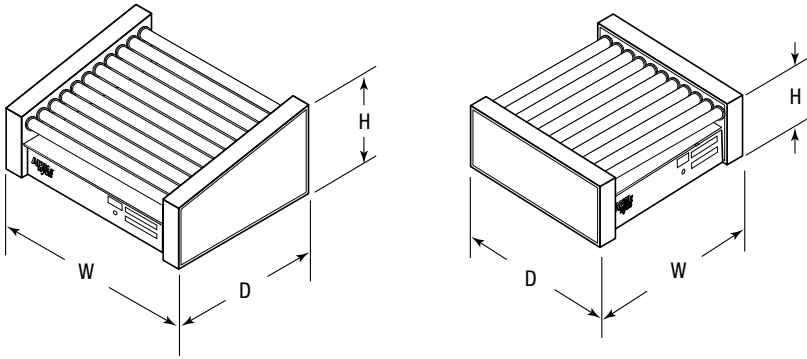
- 4" Metal Leg Kit
- 6" Tong
- Polycarbonate Sneeze Guards
- Pass through Sneeze Guards
- Divider Kits



APW X*Pert Series
Product Line



Dimensions



Model	Height	Width	Depth
HRSDi-31S:	11 3/4"	23 3/4"	18 5/8"
HRSDi-50S:	11 3/4"	34 3/4"	18 5/8"
HRDi -31S:	8 1/2"	23 3/4"	18 5/8"
HRDi-50S:	8 1/2"	34 3/4"	18 5/8"

Specifications

Construction

Stainless steel exterior, aluminum drip pan and coated steel bottom. Chrome or "Tru-Turn" textured rollers (specify Model HRS-20S, -31S or 50S for "Tru-Turn". Heavy duty high torque motor.

Electric

120V units use a 5-15P plug. Both the 208V and 240V units are provided with a 60" power cord a Nema 6-15P plug that exits from the bottom rear of the unit.

Model	Volts	Wattage	Amps	Hz
HRSDi-31S:	120	984	8.2	60
	208/240	1172/1560	5.6/6.5	60
HRSDi-50S:	120	1424	11.9	60
	208/240	1270/1691	6.1/7.1	60
HRDi -31S:	120	984	8.2	60
	208/240	1172/1560	5.6/6.5	60
HRDi-50S:	120	1424	11.9	60
	208/240	1270/1691	6.1/7.1	60

Shipping

HRSDi-31S: 44 lbs (19.1 kg) HRSDi-50S: 55 lbs (25 kg)
HRDi-31S: 44 lbs (19.1 kg) HRDi-50S: 55 lbs (25 kg)
FOB: Cheyenne WY 82007

APW Wyott Foodservice Equipment Company

1307 N. Watters Drive, Suite 180, Allen, TX 75013
(800) 527-2100 • (972) 908-6100 • Fax (214) 565-0976
www.apwwyott.com • info@apwwyott.com