



HR(S)
SLANTED SURFACE ROLLER GRILL



DESIGNED SMART. BUILT SOLID.

APW
wyott
A Standex Company

Simple

Adaptable

Convenient

Simple, uncomplicated operation, maintenance, control and management.

Adaptable to meet virtually any roll requirements, from hot dogs to egg rolls, and more.

Convenient control from cook to hold, for various cycles during peak and off-peak selling hours.



Slanted Surface Roller Grill

Equipment packages tailored to fit your operations, from Compact, Regular and Full Menu capacity choices.

High product visibility means maximum merchandising for increased customer interest and sales.

Adjustable controls

allow switching from grilling to hold cycles, quickly and easily while maintaining proper temperatures, to meet “surges” in demand. Also saves energy.

High volume service - up to 306-765 hot dogs an hours depending on model configuration.

Easy access slant design means it is ideal for clerk-served and customer self-serve applications.

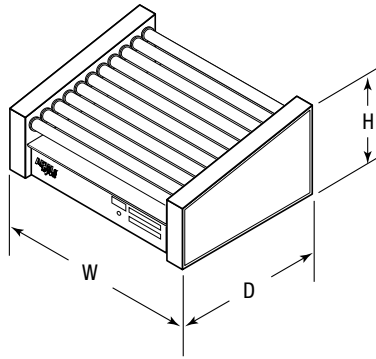
Easy-to-read graphics and heavy duty control panel knobs simplify operations for employees and customers.

Ultimate ease of cleaning with “Tru-Turn” coated rollers, that wipe clean with damp cloth. Roller configuration allows for easier access to previously “hard to reach” areas, units have removable grease pan.

Stainless steel exterior means maximum durability.



Dimensions



Model	Height	Width	Depth
HR(S)-20S:	11 1/4"	17 1/4"	18 5/8"
HR(S)-31S:	11 1/4"	23 3/4"	18 5/8"
HR(S)-50S:	11 1/4"	34 3/4"	18 5/8"

Specifications

Construction

Stainless steel exterior, aluminum drip pan and coated steel bottom. Chrome or "Tru-Turn" textured rollers (specify Model HRS-20S, -31S or -50S for "Tru-Turn"). Heavy-duty high torque motor.

Electric

120V units use a 5-15P Plug. Both the 208V and 240V units are provided with a 60" power cord with a Nema 6-15P plug that exits from the bottom on the left rear corner.

Model	Volts	Wattage	Amps	Hz
HR(S)-20S:	120	768	6.4	60
HR(S)-31S:	120	985	8.3A	60
	208/240	885/1160	3.2/4.8	
	220	990	4.5	
HR(S)-50S:	120	1320	11	60
	208/240	1260/1665	6.2/7	

Shipping

HR(S)-20S: 35 lbs. (15.9 kg)

HR(S)-31S: 44 lbs. (19.1 kg)

HR(S)-50S: 55 lbs. (25 kg)

FOB: Cheyenne WY 82007

APW Wyott Foodservice Equipment Company

1307 N. Watters Drive, Suite 180, Allen, TX 75013

(800) 527-2100 • (972) 908-6100 • Fax (214) 565-0976

www.apwwyott.com • info@apwwyott.com