

# M-95 BUN GRILL TOASTER



DESIGNED SMART. BUILT SOLID.

**APW**  
*wyott*  
A Standex Company

**FAST**

**COMPACT**

**TOUGH**

**Fast bun toasting model options**

offer volume choices of 865 to 1300 bun halves per hour, with rapid heat-up allowing you to easily meet surges in production volume.

**Compact vertical design** means high

production volumes in tight counter spaces.

**Tough stainless steel construction**

will provide years of toasting performance, and nickel-plated steel griddle plate stands up to years of grilling and cleaning



# Bun Grill Toaster



M-95

**Multiple speed gear options**, enable cooking speeds specifically tailored to your kitchen needs, resulting in the desired toasted bun surface and internal bun temperature

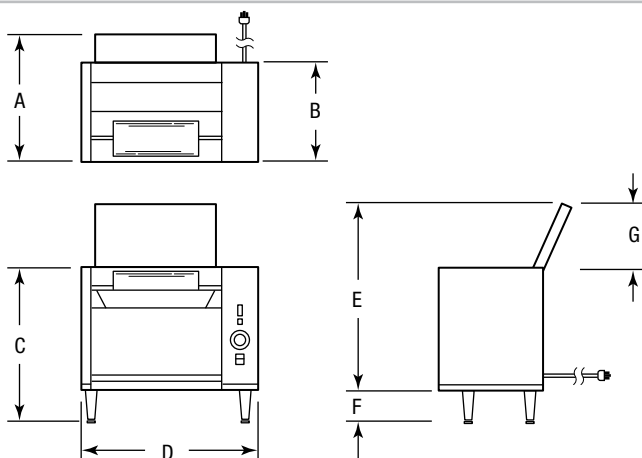
**Bun Grill toasters are available with extended Superfeed**, to allow for high volume production

**Units have patented “self-leveling” conveyor** that automatically adjusts to various sizes of buns, bagels, and Texas toasts

**Bun Grill toasters have a removable side panel** for service, and removable conveyor paddle system for easy cleaning of the conveyor and the griddle plate



## Dimensions



Model	A	B	C	D	E	F	G
M95-2	16.31" (414mm)	12.75" (324mm)	19.75" (502mm)	21.62" (549mm)	24.32" (628mm)	4" (102mm)	8.57" (218mm)
M95-3	17.5" (445mm)	12.75" (324mm)	21.625" (549mm)	24.5" (622mm)	26.5" (673mm)	4" (102mm)	10.75" (273mm)

## Specifications

### Construction

Constructed of heavy-duty stainless steel. Nickel plated steel griddle plate. Stainless steel conveyor and paddle weights. Stainless steel butter roller and pan. 4" adjustable legs.

### Dimensions

M-95-2: 28 15/16"H x 21 5/8"W x 16 5/16"D

M-95-3: 30 1/2"H x 24 1/2"W x 17 1/2"D

### Electric

Each unit is equipped with a 39", three wire grounded power cord which terminates with a standard three pronged male plug. The 208V/240V, use a NEMA 6-20P plug.

Model	Volts	Watts	Amps
M-95-2	208	2780	13.4
	230	2550	11.1
	240	2780	11.6

Model	Volts	Watts	Amps
M-95-3	208	2780	13.4
	230	2550	11.1
	240	2780	11.6

### Shipping

M-95-2: 97 lbs.

M-95-3: 105 lbs.

FOB: Arizona 85621

### APW Wyatt Foodservice Equipment Company

1307 N. Watters Road, Suite 180, Allen, TX 75013

(800) 527-2100 • (972) 908-6100 • Fax (214) 565-0976

www.apwwyott.com • info@apwwyott.com

© 2014 APW Wyatt  
All rights reserved.

 **Standex**