



AT EXPRESS RADIANT CONVEYOR TOASTER



DESIGNED SMART. BUILT SOLID.®

APW
wyott®

SMART

SOLID

SIMPLE

Smart design includes a wide range of productivity features, to help rapidly produce perfect toast color, texture and temperature every time.

Solid construction ensures long system life, and consistent operation, lowering your total cost of ownership.

Simple operation and control include variable conveyor speeds, one or two sided toasting, and easy clean conveyors and crumb trays.



Radiant Conveyor Toaster



AT Express™

Consistency and speed allow the AT Express™ to produce more than 300 perfect pieces of toast, bagels or muffins per hour

Compact counter top footprint is designed to fit into the tightest spaces, while still permitting easy access for cleaning or service

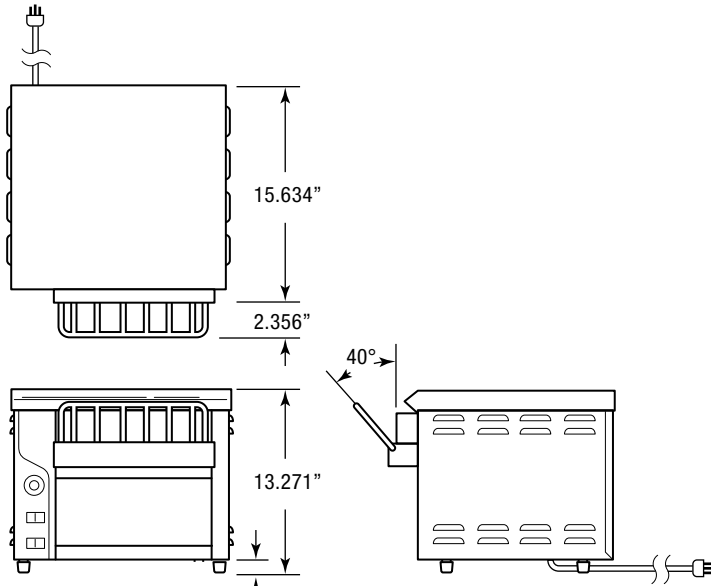
High-volume production can be maintained using the built-in extended feeder and warming areas

Designed-in durability includes all stainless steel, insulated and air cooled construction, high-temperature, “never lube” bearings, and insulated wiring harnesses

Simple design allows minimal operator supervision, with variable conveyor speeds, “flick of a switch” one-side toasting, and “Cool Touch” exterior surfaces for safety and comfort



Dimensions



Specifications

Construction

Stainless steel housing and radiant reflector. Metal sheathed heating elements. Stainless steel front wire guard. High temperature insulation protects control panel and exteriors.

Dimensions

13 9/32" H x 14 3/4" W x 18"D

Electric

120V, 1725W, 14.4 Amps, 60Hz

208V, 1725W, 8.3 Amps

240V, 1725W, 7.2Amps

Export 230V, 1725, 7.5Amps, 50Hz

Shipping

54 lbs. (24.5 kg)

FOB: Arizona 85621

APW Wyatt Foodservice Equipment Company

1307 N. Watters Road, Suite 180, Allen, TX 75013

(800) 527-2100 • (972) 908-6100 • Fax (214) 565-0976

www.apwwyott.com • customercare@standexcsg.com

© 2014 APW Wyatt®
All rights reserved.

APW
Wyott