

BC
BUN CABINET



DESIGNED SMART. BUILT SOLID.®

APW
wyott

Practical
Convenient
Dependable

Practical way to merchandise unheated buns, while holding them for clerk or customer service.

Convenient as stand-alone bun cabinet or complementary companion to a variety of roller grill configurations.

Dependable stainless steel construction with clear lift up acrylic doors, for product visibility and easy accessibility. Drawer model is a full stainless steel unit with sliding door.



Bun Cabinet

Unique design makes buns highly visible and easily accessible to maximize merchandising and product access by clerk or customer.

Perfectly paired for use with a wide range of roller grills, maintaining a small, economical countertop footprint.

- Compact BC-20 (use with HR(S)-20(S) Roller Grills)
- Regular size BC-31 (use with HR(s)-31(S) Roller Grills and HR(S)-45 Roller Grills)
- Full Menu sizes BC-50 (use with HR(S)-50(S), HR(S)-75 or HR(S)-85 Roller Grills)

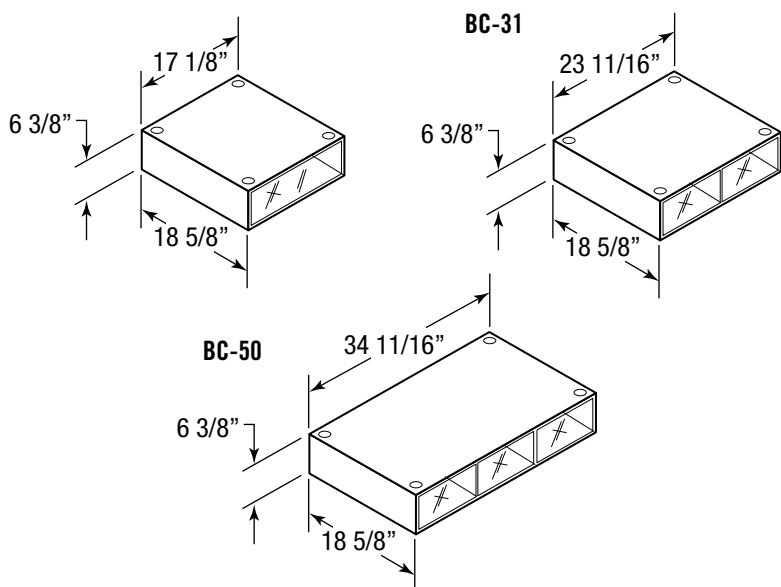


Various capacities are accommodated by different cabinets that can facilitate storage of 50 to 144 buns.

Rear access door allows clerks to load buns from behind the counter, and easily clean crumbs out of back



Dimensions



Specifications

Construction

Stainless steel cabinet. Plexiglass front doors on standard model. Available with stainless steel drawer and stainless steel rear door. 5/8" tall rubber feet.

Capacity

Compact BC-20	50 buns
Regular size BC-31	100 buns
BC-31D with Drawer	100 buns
Full Menu size BC-50	144 buns
BC-50D with Drawer	144 buns

Shipping

BC-20:	16 lbs (7.3 kg)
BC-31:	22 lbs (10 kg)
BC-31D:	26 lbs (11.8 kg)
BC-50:	29 lbs (13.2 kg)
BC-50D:	41 lbs (18.6 kg)
FOB:	Cheyenne WY 82007

APW Wyott Foodservice Equipment Company

1307 N. Watters Drive, Suite 180, Allen, TX 75013
(800) 527-2100 • (972) 908-6100 • Fax (214) 565-0976
www.apwwyott.com • customercare@standexcsg.com

© 2014 APW Wyott®
All rights reserved.

APW
wyott