



**IHP  
INDUCTION COOKING  
COMMERCIAL HOT PLATE**



DESIGNED SMART. BUILT SOLID.®

**APW**  
*wyott*®

**POWERFUL**

**CONVENIENT**

**SIMPLE**

**Powerful features** include commercial grade electronic components specified for the commercial kitchen, with individually controlled induction-cooking zones.

**Convenient by design** with self-diagnostics using a built-in microprocessor to monitor all internal processes 120 times a second. Prevents overheating and/or blocked airflow.

**Simple operation**, with cook by numbers, easy-to-use rotary controls, and heat level visual display.



# Induction Cooking Commercial Hot Plate



IHP-2

**True “Back of House”** Single 3.5W, Dual 7KW and 14KW Quad Hob Models available, with 3500W, 208/240V, 50/60Hz per Hob

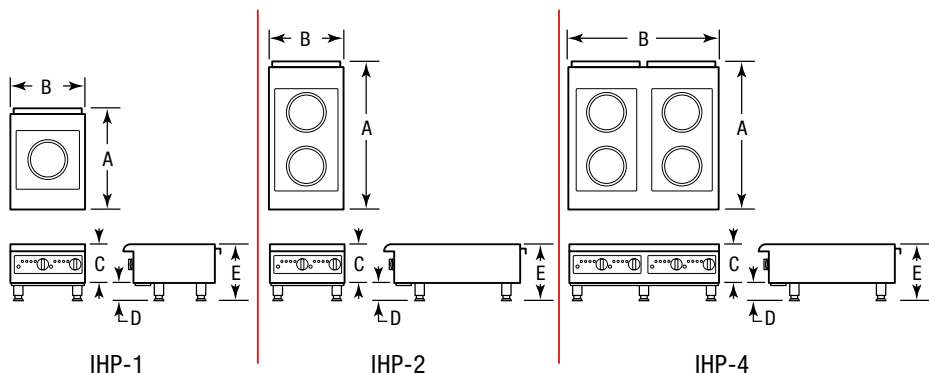
**Separate controls** for each cooking zone and nine power settings with four pre-set push buttons

**Heavy-duty ceramic glass** smooth top made of tough Schott Glass surface, withstands temperatures up to 1000°F

**Easy to clean** flat surface works with all induction-ready cookware: ferrous stainless steel, iron and cast iron



## Dimensions



Model	A	B	C	D	E
IHP-1	24 1/2"	17"	8 7/8"	12 7/8"	4"
IHP-2	32 1/4"	17"	8 7/8"	12 7/8"	4"
IHP-4	32 1/4"	32 1/2"	8 7/8"	12 7/8"	4"

## Specifications

### Construction

Stainless steel front and legs. Stainless steel body with Shott Glass top. Aluminized steel, bottom and back

### Dimensions

12 5/8" x 12 5/8" x 4" (32 cm x 32 cm x 10 cm)

### Electric

Each unit is equipped with at least a 66", three wire grounded power cord, which terminates with a standard three-pronged male plug.

Model	Size	Volts	Hz	Watts/Hob	Phase	Amps	Plug Type
IHP-1	1-Hob	208/240 AC	50/60	3200/3500	1	13/15	6-20P
IHP-2	2-Hob	208/240 AC	50/60	6200/7000	3	22/25	15-30P
IHP-4	4-Hob	208/240 AC	50/60	12800/14000	3	(2)x 22/25	(2)x 15-30P

### Shipping

IHP-1: 50 lbs. (22.7 kg)

IHP-2: 115 lbs. (53.2 kg)

IHP-4: 260 lbs. (118 kg)

FOB: Arizona 85621

### APW Wyott Foodservice Equipment Company

1307 N. Watters Road, Suite 180, Allen, TX 75013  
 (800) 527-2100 • (972) 908-6100 • Fax (214) 565-0976  
 www.apwwyott.com • customercare@standexcsg.com

© 2014 APW Wyott®  
 All rights reserved.

**APW**  
*wyott*