

PRODUCT:

QUANTITY:

ITEM:

Designed Smart

- Mobile, Cantilever-Type, Self-Leveling dispenser that is easily field adjustable for dispensing trays, glasses, or cups.
- CTR Mobile Cup and CTRD Double Dispensers are excellent for use in serving lines, tray makeup lines, or at hot and cold beverage service points and are open on three sides for easy access.
- Lift-out panel for easy access to dispensing mechanism
- Full base for sanitary protection and empty rack storage
- Tray carrier will not tip or bind

APW Wyott Design Features

- Stainless steel construction
- Protective corner bumper standard
- Open sided construction for versatility
- 4" polyurethane casters. Rear caster brakes

Reliability backed by APW Wyott's Warranty

All APW Wyott Lowerators are backed by a 1-year limited warranty and a 1-year on-site labor warrant. *

- Certified by the following agencies:



Model: Cantilever Glass & Tray Mobile Dispenser

OPTIONS

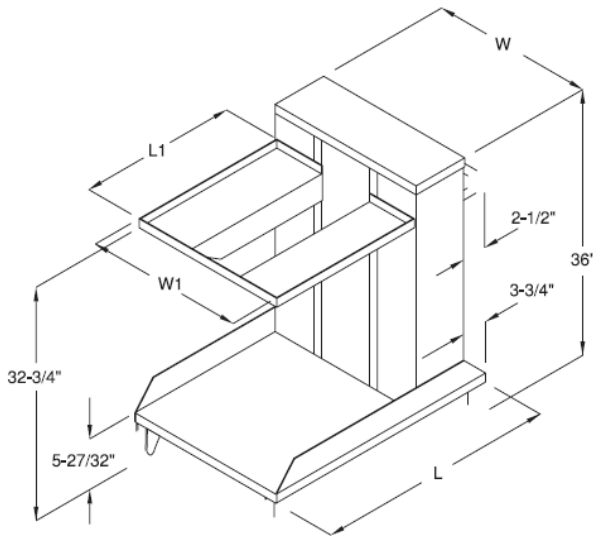
- 5" polyurethane casters, two with brakes (installation not included) (add -5P to model number)
- Perimeter bumpers(add-PB to model number)
- Overshelf for Model CTR (installed; add 8 inches to overall height) (add -OS to model number)

See reverse side for product specifications.

PRODUCT:

QUANTITY:

ITEM:



PRODUCT SPECIFICATION

Construction:

All stainless steel base. Brakes on rear casters. Dependable and adjustable extension spring dispensing mechanism.

Dispensing System:

Easily field adjustable to a wide load range. By connecting the self-contained extension springs, the load rate can be increased in increments of 1 pound per inch. Stainless steel carrier cannot bind or tip.

Capacity:

To 125 trays, 14 dozen cups, 12 dozen glasses. Vertical storage: 27 1/8" (23" travel and 4 1/8" to top of upright).

Total Load Capacity:

CTR: 250 lbs.

CTRD: 500 lbs.

FOB: Allen, TX 75013

Model Number	Platform Dimensions		Overall Dimensions		Shipping Weight
	W1	L1	W	L	
CTR-1410	14 1/2"	10 1/2"	16 15/16"	20 1/8"	108 lbs
CTR-1418	14 1/2"	18 1/2"	16 15/16"	28 1/8"	110 lbs
CTR-1612	16 3/4"	12 1/2"	16 15/16"	22 1/8"	136 lbs
CTR-1620	16 3/4"	20 3/4"	15 15/16"	30 3/8"	110 lbs
CTR-1020	20 1/2"	10 1/2"	20 15/16"	20 1/8"	110 lbs
CTR-1622	16 3/4"	22 1/2"	16 15/16"	32 1/8"	110 lbs
CTR-1822	18 1/2"	22 1/2"	20 15/16"	32 1/8"	136 lbs
CTR-2020	20 1/2"	20 1/2"	20 15/16"	30 1/8"	118 lbs

Model Number	Tray Size	Overall Dimensions		Shipping Weight
		W	L	
CTRD-1014	14"	10"	36"	225 lbs
CTRD-1418	18"	14"	36"	231 lbs
CTRD-1620	16"	20"	37"	232 lbs
CTRD-1622	16"	22"	37"	236 lbs

*APW Wyott reserves the right to modify specifications or discontinue models without incurring obligation.