

PRODUCT:

QUANTITY:

ITEM:



## Designed Smart

Engineered to provide operators maximum profitability in the display of bakery products by offering great flexibility, optimum holding capability and precision heating systems with individual thermostat control for each holding pan.

Bakery products ONLY.

### Standard Features:

- 2' - 3' - 4' and 5' lengths.
- Individual electronic thermostat control for each pan location.
- 4 rows of shatter proof fluorescent lights.
- Independent power and light switches for heated or ambient (lights only) operation.
- Lift up front glass.
- 4" wide backlit POP sign strip.
- Commercial grade stainless steel for interior and exterior components.

### Optional Features:

- Easily programmable product timers
- Hinged work board

## Reliability Backed by APW Wyott's Warranty

All APW Wyott Heated Bakery Merchandisers are backed by a 1 year parts and labor warranty, including on-site service calls within 50 miles of authorized service technicians.

Certified by the following agencies:

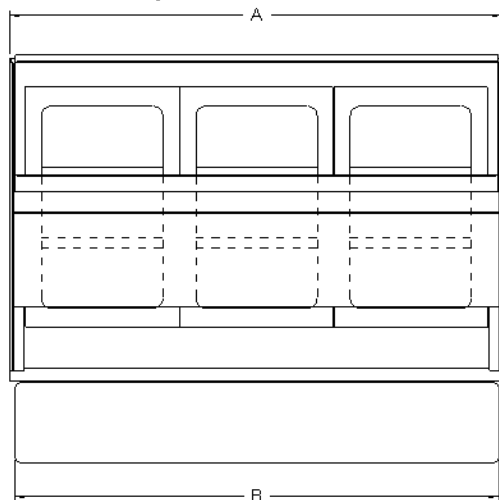


PRODUCT:

QUANTITY:

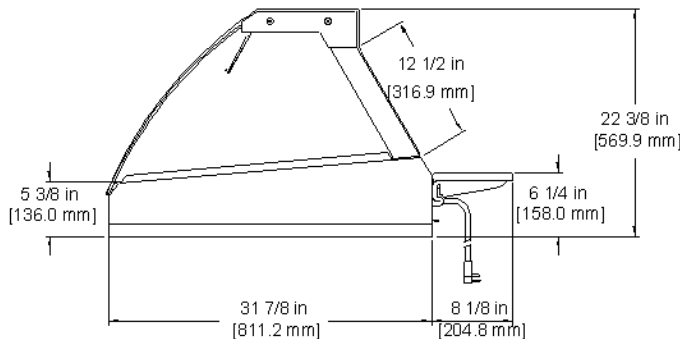
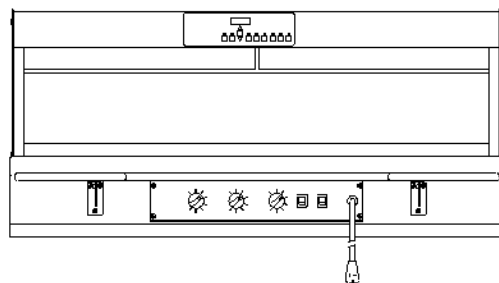
ITEM:

### Electrical Specifications:



Dim.	WBC-2	WBC-3	WBC-4	WBC-5
<b>Number of Pan Inserts</b>	1	2	3	4
<b>A</b>	24 3/4 in [629 mm]	36 3/4 in [933 mm]	48 3/4 in [1238 mm]	64 3/4 in [1645 mm]
<b>B</b>	24 in [610 mm]	36 in [914 mm]	48 in [1219 mm]	64 in [1626 mm]
<b>Counter Area</b>	5.5 sq ft 0.5 sq m	8.1 sq ft 0.8 sq m	10.8 sq ft 1.0 sq m	14.3 sq ft 1.3 sq m
<b>Uncrated Weight</b>	110 lb 50 kg	160 lb 73 kg	215 lb 98 kg	285 lb 130 kg
<b>Crated Height</b>	32 in 813 mm	32 in 813 mm	32 in 813 mm	32 in 813 mm
<b>Crated Width</b>	32 in 813 mm	44 in 1118 mm	56 in 1422 mm	72 in 1830 mm
<b>Crated Depth</b>	48 in 1219 mm	48 in 1219 mm	48 in 1219 mm	48 in 1219 mm
<b>Crated Weight</b>	170 lb 77 kg	220 lb 100 kg	275 lb 125 kg	350 lb 160 kg

FOB: Simpsonville, SC 29680



North America				
All units are 1 Ph, 50/60 Hz.				
Model	120 V	208 V	220 V	240V
WBC-2	300W 2.5A	300 W 1.5 A	300W 1.4 A	345 W 1.5A
WBC-3	605 W 5.1 A	605 W 2.9 A	600W 2.7 A	690 W 2.9 A
WBC-4	845 W 7.1 A	845 W 4.1 A	840 W 3.8 A	975 W 4.1 A
WBC-5	1085 W 9.0A	1085 W 5.2 A	1080 W 4.9 A	1260 W 5.2 A

120V Units furnished with NEMA 5-15 , 15A Plug  
208V – 240V Units furnished with NEMA 6-20, 20A Plug

Europe		
230 Volts, 1 Ph+N+E		
	Current (A)	Power (W)
WBC-2	1.4	320
WBC-3	2.8	645
WBC-4	3.9	905
WBC-5	5.1	1165

Furnished with 3 Conductor Cord, No Plug

\*APW Wyott reserves the right to modify specifications or discontinue models without incurring obligation.