

GGM-36S

APW Wyott Gas Griddles are constructed with a stainless steel front panel and reinforced wall aluminized steel side panels. Griddle plate is 3/4" (1.9 cm) thick steel plate with 4-3/8" (11.1 cm) high tapered wrap-around stainless steel splash guard. Unit has 3-1/4" (8.3 cm) wide front grease trough with grease chute and a 4-1/2 qt. (4.257 L) stainless steel grease drawer. Unit is equipped with a 20,000 BTU aluminized steel burner for every 12" (30.5 cm) of width and is controlled by either manual control valve or throttling thermostat. Valve knobs are protected by a stainless steel bull nose front. A standing pilot is provided. Griddles are supplied with 4" (10.2 cm) high die cast nickel-plated legs with a 1-3/8" (3.5 cm) adjustment. Gas connection is a 3/4" (1.3 cm) N.P.T. male with a convertible pressure regulator. Units are approved for installation within 6" (15.2 cm) of combustible and non-combustible surfaces and are UL Gas Certified and UL Sanitation listed. Printed in the U.S.A.

APW Wyott Countertop Gas Griddles are the most economical and flexible Countertop Griddles in the food service industry. They offer unsurpassed performance, combining a proven control system with APW Wyott quality and durability. Available in three different widths - 24", 36" and 48".

WARRANTY

These units come with a one [1] year warranty for parts and labor.

CERTIFICATIONS

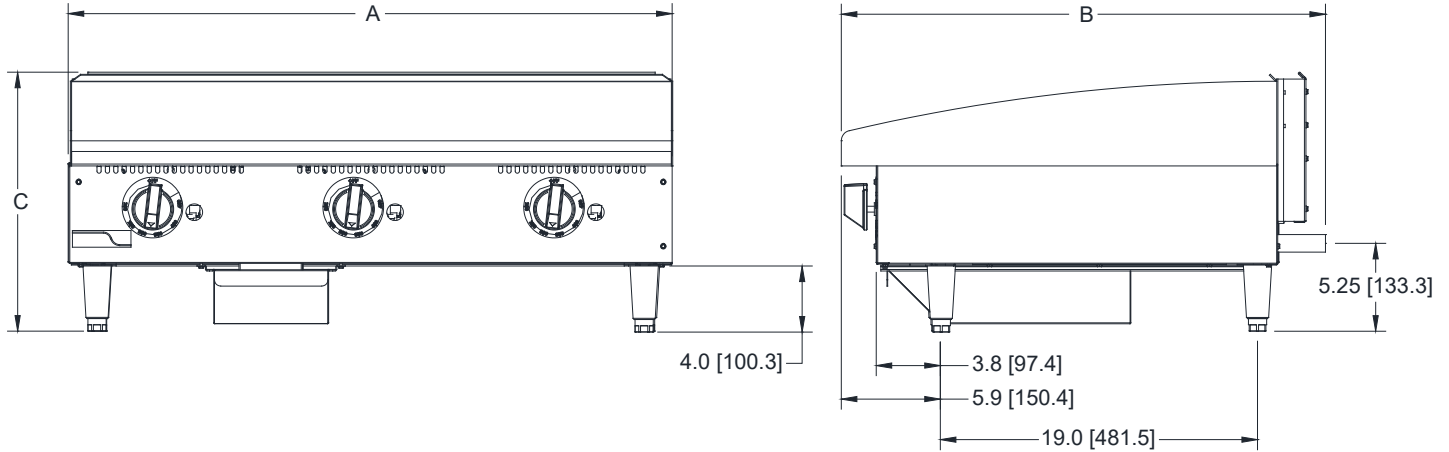
Certified by the following agencies:



FEATURES AT A GLANCE

- NEW Ultra smooth 3/4" thick polished steel plate.
- Manual griddle designed with 1/4 turn manual control and standing pilot.
- Thermostat griddles feature throttling thermostat that adjust from 150°-450°F.
- Available in 24", 36" and 48" widths.
- High performance 20,000 BTU aluminized steel "U" shape burner every 12".
- Spatula wide 3-1/4" front grease trough and grease chute.
- Stainless steel front panel, bull nose and grease drawer.
- 3/4" rear gas connection and universal pressure regulator supplied. Field convertible to LP with orifices included.
- 4" nickel plated steel legs.

EQUIPMENT DIMENSIONS (GGT-36S SHOWN BELOW)



MECHANICAL SPECIFICATIONS

Model #	Overall Dimensions		Leg Width	No. Controls	BTU	Grid Area	Ship Weight (lbs. / Kilos)	Installed Weight (lbs. / Kilos)
	Width (A) x Height (C) x Depth (B)	(inches / mm)						
GGT-24S	24" x 15.5" x 28.5" (61.0 x 39.4 x 48.3)		19" (48.3)	2	40,000	498 SQ. IN. (3213 SQ. CM.)	175 (79.4)	147 (66.7)
GGT-36S	36" x 15.5" x 28.5" (91.4 x 39.4 x 48.3)		32.75" (83.2)	3	60,000	747 SQ. IN. (4820 SQ. CM.)	262 (118.8)	221 (100.2)
GGT-48S	48" x 15.5" x 28.5" (121.0 x 39.4 x 48.3)		44.75" (113.7)	4	80,000	996 SQ. IN. (6426 SQ. CM.)	350 (158.9)	295 (133.8)
GGM-24S	24" x 15.5" x 28.5" (61.0 x 39.4 x 48.3)		19" (48.3)	2	40,000	498 SQ. IN. (3213 SQ. CM.)	175 (79.4)	165 (74.8)
GGM-36S	36" x 15.5" x 28.5" (91.4 x 39.4 x 48.3)		32.75" (83.2)	3	60,000	747 SQ. IN. (4820 SQ. CM.)	262 (118.8)	247 (112.0)
GGM-48S	48" x 15.5" x 28.5" (121.0 x 39.4 x 48.3)		44.75" (113.7)	4	80,000	996 SQ. IN. (6426 SQ. CM.)	350 (158.9)	330 (144.7)

*UNITS OPERATE ON NATURAL GAS OR PROPANE GAS
3/4" (1.9 cm) N.P.T. Male Gas Connection

Freight Class: 100
FOB: Smithville, 37166

APW Wyott reserves the right to modify specifications or discontinue models without incurring obligation. Dimensions nominal.