



The APW Wyott RCW series insulated round cooker servers are designed to rethermalize refrigerated or frozen pre-cooked soups, stews, and chili.

Designed to run with water. Available in 7 quart and 11 quart versions. Made of stainless steel in the exterior and interior. Fully insulated to protect interior controls. SP designates soup package that includes inset, hinged cover and ladle.

FEATURES AT A GLANCE

- 7 quart (RCW-7) and 11 quart (RCW-11) capacity
- High performance, fast recovery design to rethermalize refrigerated or frozen soup, stews, chili or other food products served out of a round inset.
- Thermostatically controlled heat system provides fast heat up and recovery, and can reach intense temperatures that produce consistent steam heat (212° F)
- Units are designed with high wattage systems that generate faster start-ups to the required temperatures.
- Distributes heat throughout the unit while protecting interior parts and countertops from heat build-up.
- Stainless steel housing with stainless steel liner
- Raised liner (marine lip) prevents outside condensation
- Electric low watt density element provides fast, even heat.
- Wet operation only
- SP designates soup package that includes inset, hinged cover and ladle

WARRANTY

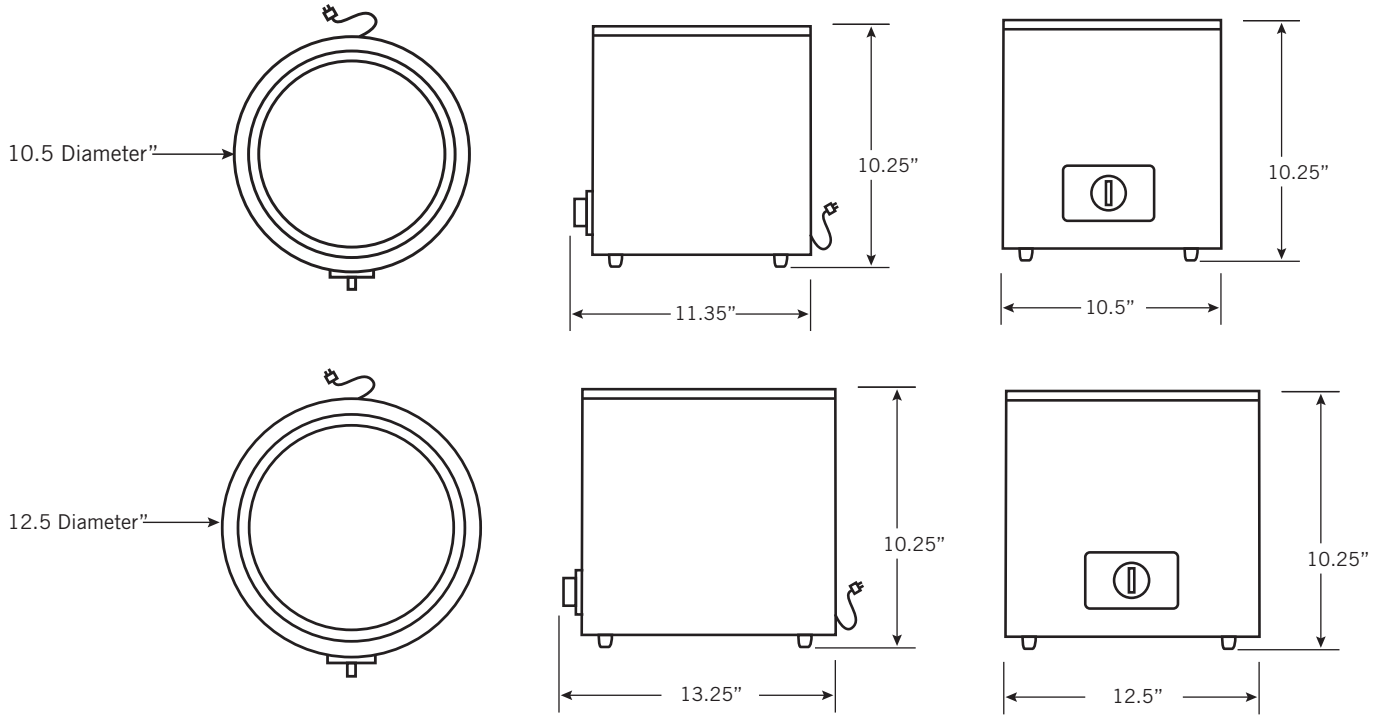
APW Wyott Warming Equipment styles are backed by a 1-year Parts and Labor warranty, including our "Enhanced Warranty" service that replaces new units with certain product issues through the convenience of direct factory shipments.

CERTIFICATIONS

Certified by the following agencies:



EQUIPMENT DIMENSIONS



MECHANICAL SPECIFICATIONS

Model #	Volts	Watts	NEMA Plug	Amps	Overall Dimensions Width x Height* x Depth** (inches / mm)	Capacity Quarts	Ship Weight (lbs. / Kilos)
RWC-7	120	1,000		8.3	10.6" x 10.25" x 11.35" (269 x 260 x 288)	7	11 lbs. (4.9 kg)
RCW-7-SP	120	1,000		8.3	10.6" x 10.25" x 11.35" (269 x 260 x 288)	7	12 lbs. (5.4 kg)
RCW-11	120	1,200		10	12.5" x 10.25" x 13.25" (318 x 260 x 337)	11	13 lbs. (5.9 kg)
RCW-11-SP	120	1,200		10	12.5" x 10.25" x 13.25" (318 x 260 x 337)	11	14 lbs. (6.4 kg)

*Height includes .5" rubber legs. **Depth includes control knob. SP indicates soup package that includes inset, hinged cover and ladle.

ELECTRICAL INFORMATION

Each unit is equipped with a 60", three wire grounded power cord which terminates with a standard three pronged male NEMA 5-15P plug.

REQUIRED CLEARANCES

	Combustible
Left	N/A
Right	N/A
Back	N/A

Freight Class: 100
 FOB: Smithville, TN 37166

APW Wyott reserves the right to modify specifications or discontinue models without incurring obligation. Dimensions nominal.